

Ultra Slim 4K HDMI 4x1 Switcher with Audio Return Channel

Professional 4x1 HDMI Switcher
with 4K UHD and ARC

MPN: SW-4KPROSLIM4X1



The **KanexPro 4x1 HDMI Switcher with Audio output** is an ultra-slim, space saving 4K@30Hz compliant switcher that allows switching of four HDMI source devices like Apple TV, Blu-ray, PCs or tablets to one UHD 4K display without losing signal integrity and resolution.

Incredibly thin aluminum design with only 0.4 inches thick; this professional switcher is equipped to fit in any installation environment whether it's behind a flat-panel TV, under the lectern or just your conference room table.

Built-in 3.5mm stereo audio output delivers audio de-embedding & ARC capabilities supporting color depths up to 32 bit, internal EDID management for various display resolutions up to 3840x2160@30Hz.

Applications:

Ideal for various applications such as house of worship centers, classrooms, lobbies, conference rooms, board rooms and lecture halls where space is limited and you want to switch 4K UHD content to a single display.

FEATURES

- Ultra Slim 1x4 HDMI Splitter with 4K UHD resolutions
- Incredibly thin design - only 0.4" (11 mm) thick
- Perfect for installing behind a thin bezel display
- Supports UHD 4K/30Hz resolutions
- Transmit HD 1080p up to 15m (50ft.)
- High-bandwidth 10.2 Gbps
- HDCP 1.4 compliant
- Auto-identifies input resolutions to match displays
- Supports EDID management automatically to adapt to the resolution from the first detected display from port 1 to 4
- LED status for connection and HDCP
- Firmware update via micro USB

SPECIFICATIONS

Signal Inputs/Output

- Input DDC Signal: 5 volts p-p (TTL)
- Maximum Single Link Range: 4K x 2K
- Output Video: HDMI 1.4 with full 3D and 4Kx2K@30Hz + HDCP
- CEC - Pass through enabled
- Operating Frequency

Operating Frequency

- Vertical Frequency Range: 50/60Hz
- Max Data Rate: 10.2 Gbps
- Max Pixel Clock: 340 MHz

Resolutions (HDTV)

- Interlaced (50&60Hz): 480i, 576i, and 1080i
- Progressive (50&60Hz): 480p, 576p, 720p, 1080p, and 4Kx2K@30Hz

Power Requirements

- Power consumption (Max): 3.6W
- Size: (L-W-D): 5.90" x 2.75" x 0.43" (100x11x70mm)

Size

- (L-W-D): 5.90" x 2.75" x 0.43" (100x11x70mm)

Weight

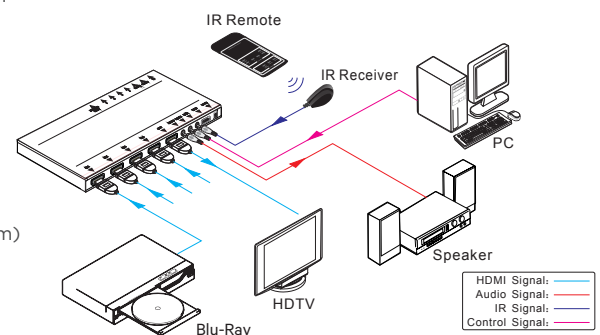
- 0.26 lbs

Environment

- Operating Temperature: 0°C - 40°C / 32°F - 104°F
- Storage Temperature: -20°C - 60°C / -4°F - 140°F
- Limited Warranty: 1-Year Parts & Labor

Package Contents

- 1x4 Slim HDMI splitter
- 5V USB to DC Power Supply
- Operation Manual



ABOUT KANEXPRO

KanexPro carries a broad selection of A/V connectivity products by leveraging the core strength in professional systems enabling you to broadcast, convert, extend, split, or multiply HD signal transmissions; simply and cost-effectively. KanexPro is a trademark. HDMI, the HDMI logo, and High-Definition Multimedia Interface are trademarks or registered trademarks of HDMI Licensing, LLC in the United States and/or other countries. All other product or service names are the property of their respective owners.